

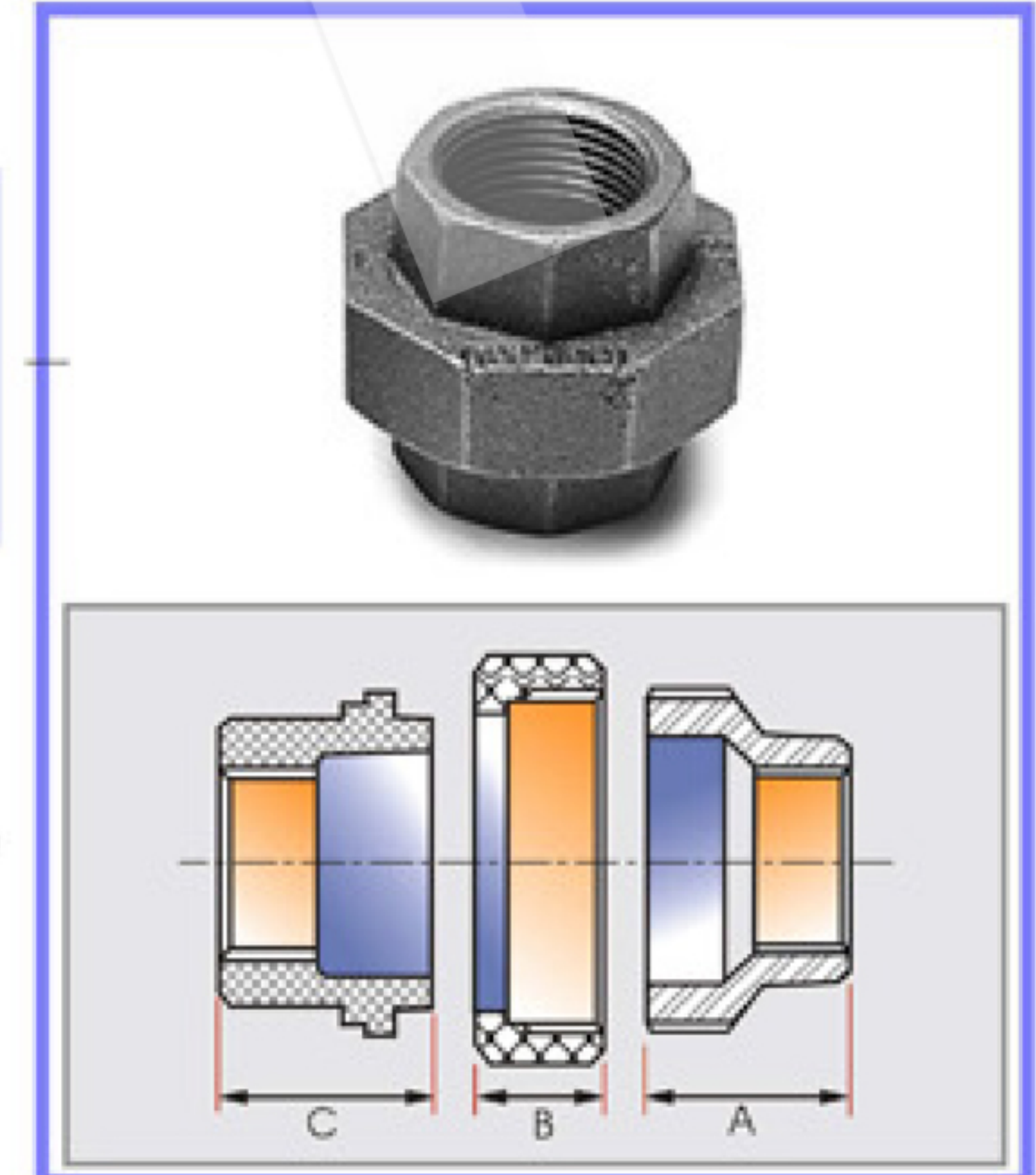
PACKING LISTS and SPECIFICATION STANDARD

MALLEABLE IRON PIPE FITTINGS CLASS 150 lbs.

Size (inch)	Dimensions			Inner Box Pcs./Box	Master Ctn. Pcs./Ctn.	NO.of Inner Box	Weight/Pcs.	N.W./Ctn. (Kgs.)
	A	B	C					
1/4	18.3	15.5	19.0	20	240	12	0.0930	22
3/8	19.0	16.0	20.5	40	160	4	0.1598	26
1/2	21.0	17.0	24.5	50	100	2	0.1960	20
3/4	24.5	18.5	26.5	35	70	2	0.2850	20
1	27.0	20.0	29.0	20	40	2	0.4130	17
1 1/4	30.0	24.0	34.0	15	30	2	0.6144	18
1 1/2	33.0	25.5	37.5	10	20	2	0.7940	16
2	37.0	37.0	40.0	6	12	2	1.1900	14
2 1/2	42.0	29.5	49.5	4	8	2	2.0000	16
3	47.0	32.5	49.5	4	8	2	2.5590	20
4	58.0	39.0	60.5	2	4	2	4.6874	19
6	73.0	49.0	73.0	-	2	1	11.1200	22

**UNIONS FLAT SEAT
WITHOUT GASKET**

U



* THE ACTUAL WEIGHT CAN VARY BY \pm 3%